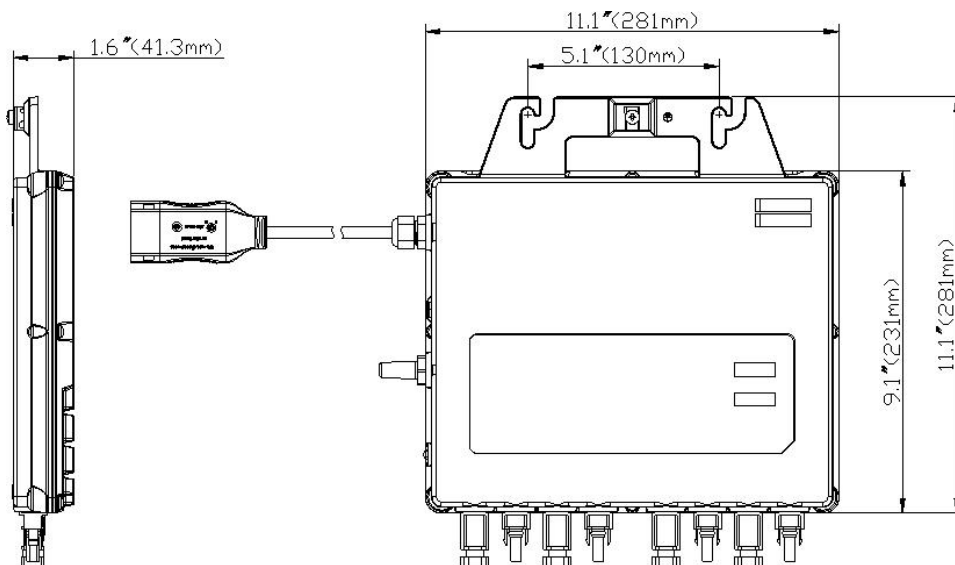


Leading the Industry in  
Solar **Microinverter** Technology

## QS1 Microinverter

- Single unit connects up to four solar modules
- 4 input channels with independent MPPT and monitoring function
- Maximum continuous output power up to 1200W

### DIMENSIONS



The APsystems QS1 is a grid-tied microinverter with intelligent networking and advanced monitoring systems to ensure maximum efficiency. High efficiency, high reliability of the QS1 with 4 independent MPPT inputs, Maximum AC output power reaching 1200W. Quarter the inverters and quarter the installation means real cost savings for residential and commercial customers.

# QS1 Microinverter Datasheet

**Region** Canada  
**Model** QS1-NA-CA

## Input Data (DC)

MPPT Voltage Range	22V-48V
Operation Voltage Range	16V-55V
Maximum Input Voltage	60V
Startup Voltage	20V
Maximum Input Current	12A×4
Maximum DC short circuit current	15A×4

## Output Data (AC)

Maximum Continuous Output Power	1200W
Nominal Output Voltage/Range	240V/211V-264V
Nominal Output Current	5A
Adjustable Output Voltage Range	150V-280V
Nominal Output Frequency/Range	60Hz/59.3Hz-60.5Hz
Adjustable Output Frequency Range	55Hz-65Hz
Power Factor	>0.99
Total Harmonic Distortion	<3%

## Efficiency

Peak Efficiency	96.5%
Nominal MPPT Efficiency	99.5%
Night Power Consumption	30mW

## Mechanical Data

Operating Ambient Temperature Range	-40°F to +149°F(-40°C to +65°C)
Storage Temperature Range	-40°F to +185°F(-40°C to +85°C)
Dimensions (W x H x D)	11.1" x 9.1" x 1.6"(281mm x 231mm x 41.3mm)
Weight	9.9lbs(4.5kg)
AC BUS Maximum Current	20A
Enclosure Rating	Type6
Cooling	Natural Convection - No Fans

## Features

Communication	Wireless (Zigbee)
Transformer Design	High Frequency Transformers, Galvanically Isolated
Monitoring	Via EMA* Online Portal
Warranty	10 Years Standard ; 25 Years Optional

## Certificate&Compliance

Safety And EMC Compliance	UL1741;CSA C22.2 No.107.1-01; FCC Part15; ANSI C63.4;ICES-003
Grid Connection Compliance	IEEE1547

\*APsystems online Energy Management Analysis (EMA) platform

© All Rights Reserved

Specifications subject to change without notice  
please ensure you are using the most recent update found at [www.APsistemas.com](http://www.APsistemas.com)